

# ASSEMBLY INSTRUCTION

BH-705S

DEVONSHIRE 3-SEATER EXTRA THICK BENCH

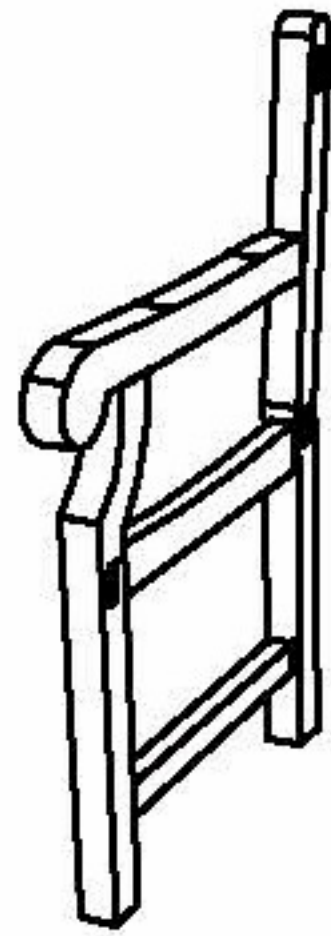


fig 1.

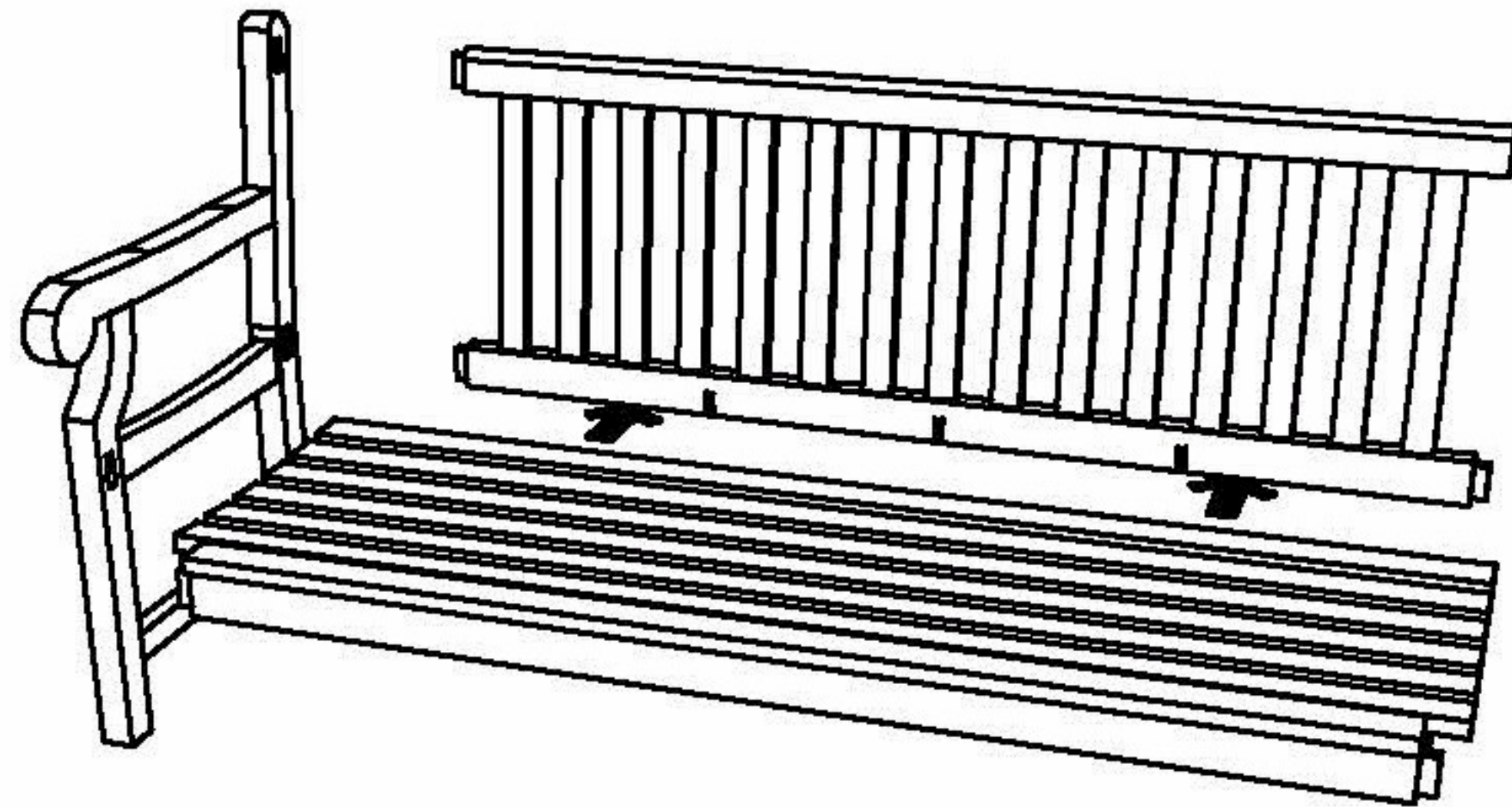


fig 2.

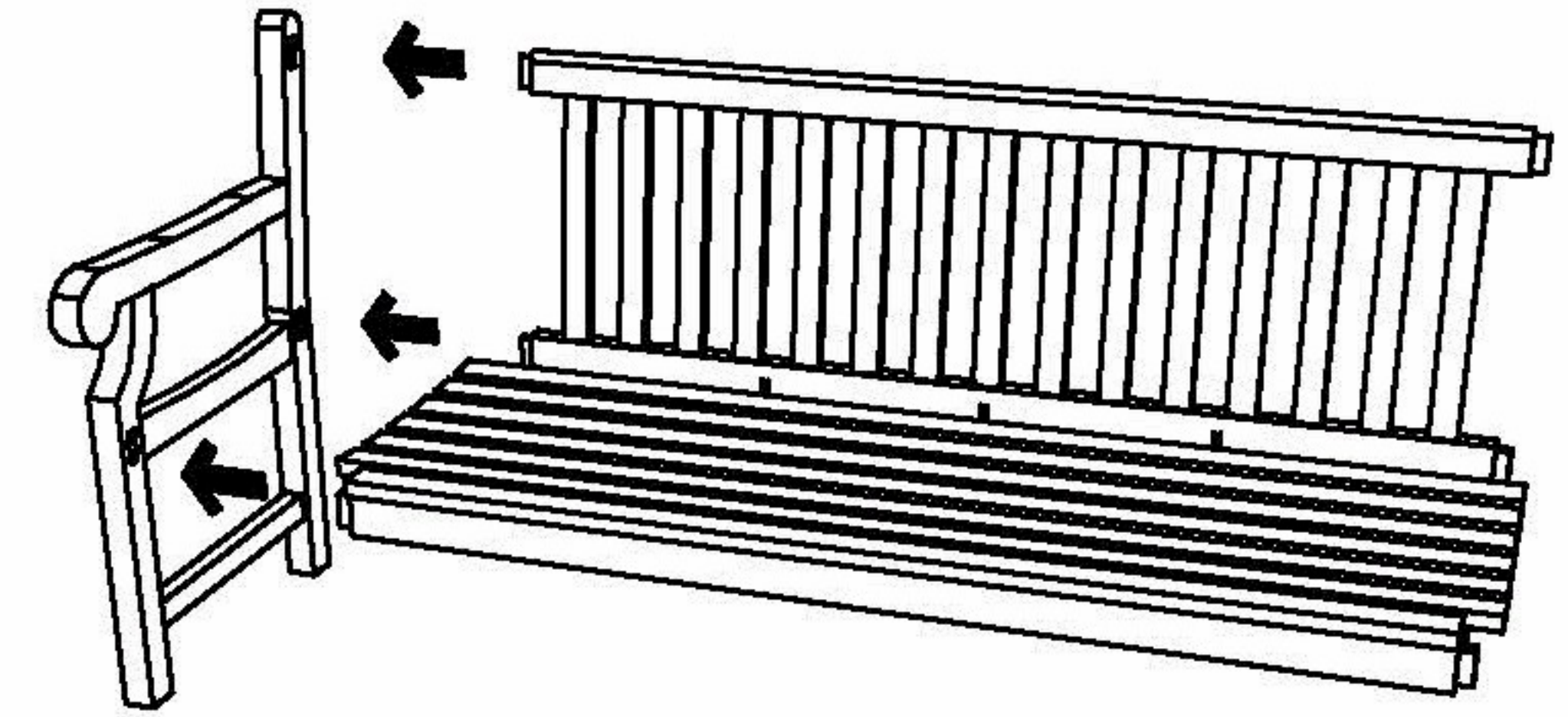


fig 3.

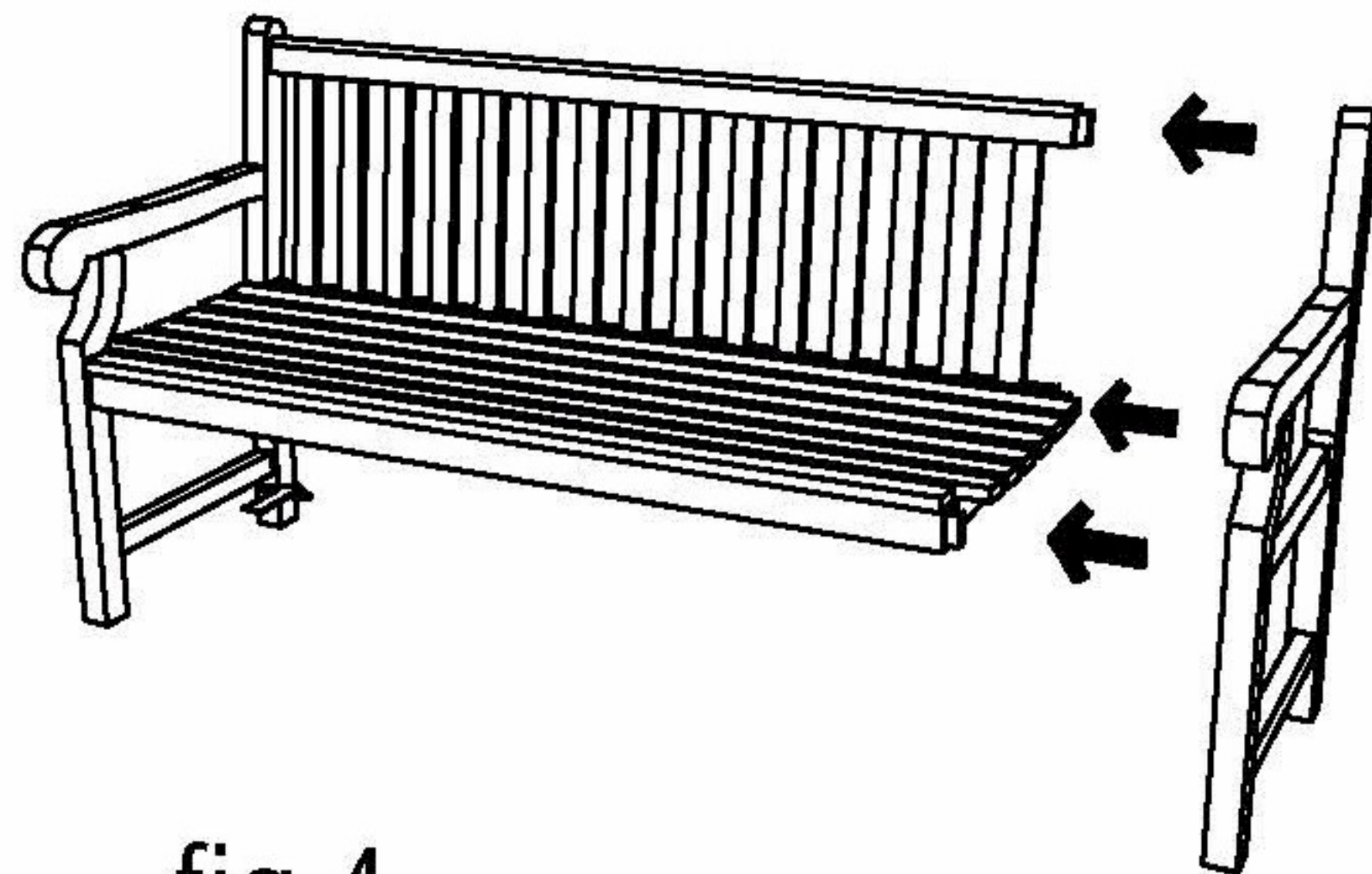


fig 4.

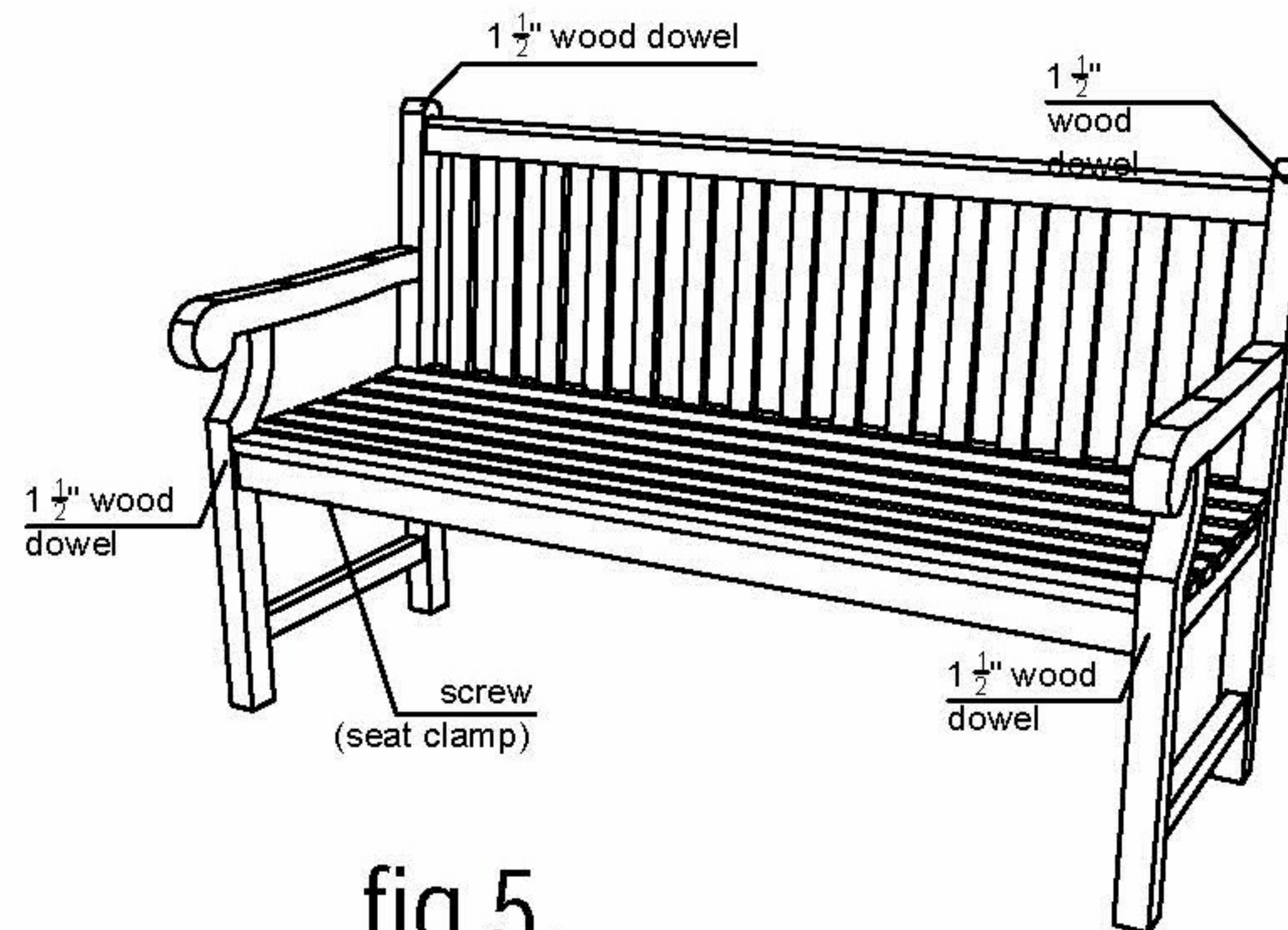


fig 5.

Parts : 2 pcs legs, 1 pc back support,  
1 pc seat

#### Hardware packs

- wood dowels for top & bottom of back support + front leg
- wood screws to clamp seat

#### Tools requirment

- hammer ( not supplied )
- screws driver ( not supplied )

#### Assembling

1. Prepare a leg. ( Fig. 1 )
2. Put some glue into the leg's mortise
3. Insert the seat into back support of the seat. ( Fig. 2 )
4. Insert to the leg. ( Fig. 3 )
5. Insert the other leg. ( Fig. 4 )
6. Put some glue around the wood dowels and insert it into the front legs and back side of the back support.
7. Screw the seat clamp ( under the seat ) to the legs.
8. Clean the glue rest using a damp cloth.